

Key Features

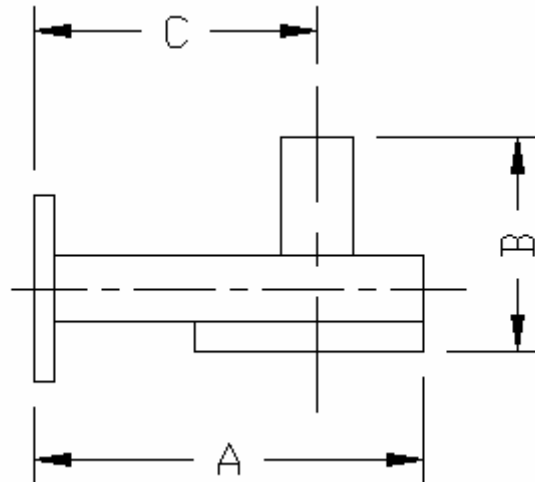
- Full waveguide operation
- Low insertion loss
- Low VSWR
- Low cost
- Operating Temperature from -40 to +85 °C.

Primary Applications

- Bench test setups
- Microwave sub-systems

General Description

Standard WAC series covering 2.6 to 65 GHz are designed for full waveguide band operation. The coaxial connection has the selection of SMA, N and K male and female connectors

**Outline Drawing****Typical specification**

Part No.	Frequency Range, GHz	Waveguide sizes	Flange Type	Coaxial connector	VSWR	Insertion Loss, dB	Dimensions, inch (mm)		
							A	B	C
WAC2841F(M)	2.60~3.95	WR-284	EG584/U	SMA	1.25:1	0.3	68	74	34
WAC2842F(M)	2.60~3.95	WR-284	EG584/U	Type N	1.25:1	0.3	68	74	34
WAC2291F(M)	3.30~4.90	WR-229	CPR229F	SMA	1.25:1	0.3	58	59	33
WAC2292F(M)	3.30~4.90	WR-229	CPR229F	Type N	1.25:1	0.3	58	59	33

WAC2293F(M)	3.30~4.90	WR-229	CPR229G	Type N	1.25:1	0.2	58	59	33
WAC1871F(M)	3.95~5.85	WR-187	UF407/U	SMA	1.25:1	0.3	50	42	29
WAC1872F(M)	3.95~5.85	WR-187	UF407/U	Type N	1.25:1	0.3	50	42	29
WAC1591F(M)	4.90~7.05	WR-159	CPR159F	SMA	1.25:1	0.3	44	40	26
WAC1592F(M)	4.90~7.05	WR-159	CPR159F	Type N	1.25:1	0.3	44	40	26
WAC1371F(M)	5.85~8.20	WR-137	UG441/U	SMA	1.25:1	0.3	40	45	24
WAC1372F(M)	5.85~8.20	WR-137	UG441/U	Type N	1.25:1	0.3	40	45	24
WAC1373F(M)	5.85~8.20	WR-137	CPR137F	SMA	1.25:1	0.3	40	45	24
WAC1374F(M)	5.85~8.20	WR-137	CPR137F	Type N	1.25:1	0.3	40	46	22
WAC1121F(M)	7.00~10.0	WR-112	CPR112F	SMA	1.25:1	0.3	40	46	22
WAC1122F(M)	7.00~10.0	WR-112	CPR229F	Type N	1.25:1	0.3	40	46	22
WAC0901F(M)	8.20~12.4	WR-90	UG39/U	SMA	1.25:1	0.3	38	25	22
WAC0902F(M)	8.20~12.4	WR-90	UG39/U	Type N	1.25:1	0.3	38	25	22
WAC0751F(M)	10.0~15.0	WR-75	UBR120	SMA	1.25:1	0.4	34	24	20
WAC0752F(M)	10.0~15.0	WR-75	UBR120	Type N	1.25:1	0.4	34	24	20
WAC0621F(M)	12.0~18.0	WR-62	UG419/U	SMA	1.25:1	0.4	32	22	20
WAC0511F(M)	15.0~22.0	WR-51	UG595/U	K	1.25:1	0.4			
WAC0421F(M)	18.0~26.5	WR-42	UG595/U	K	1.25:1	0.5	30	26	22
WAC0341F(M)	22.0~33.0	WR-34	UG1530/U	K	1.25:1	0.5		64	71
WAC0281F(M)	26.5~40.0	WR-28	UG599/U	K	1.25:1	0.5	30	25	22
WAC0221F(M)	33.00~50.0	WR-22	UG383/U	V	1.40:1	0.6	27	20	20
WAC0191F(M)	40.0~60.0	WR-19		V	1.50:1	0.6	27	20	20
WAC0151F(M)	50.00~65.0	WR-15	UG385/U	V	1.60:1	0.6	27	20	19