

Key Features:

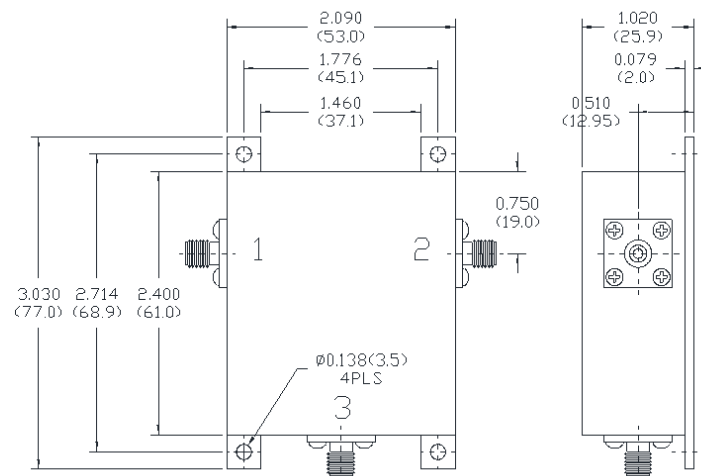
- Wide operating frequency range from 225 to 450MHz
- 50 ohm SMA female coaxial connectors
- 40 Watts CW forward power handling
- Clockwise signal circulation direction
- -20~+55°C operating temperature range
- Weight 310 grams (11.0 OZ)

**Description:**

F2520-0338-67S is a single junction coaxial circulator with 50 ohm SMA female coaxial connectors operating in the frequency range from 225 to 450MHz and offers 0.6dB typical insertion loss and 17dB typical reverse isolation. The coaxial isolator can handle 40 watts of forward CW power.

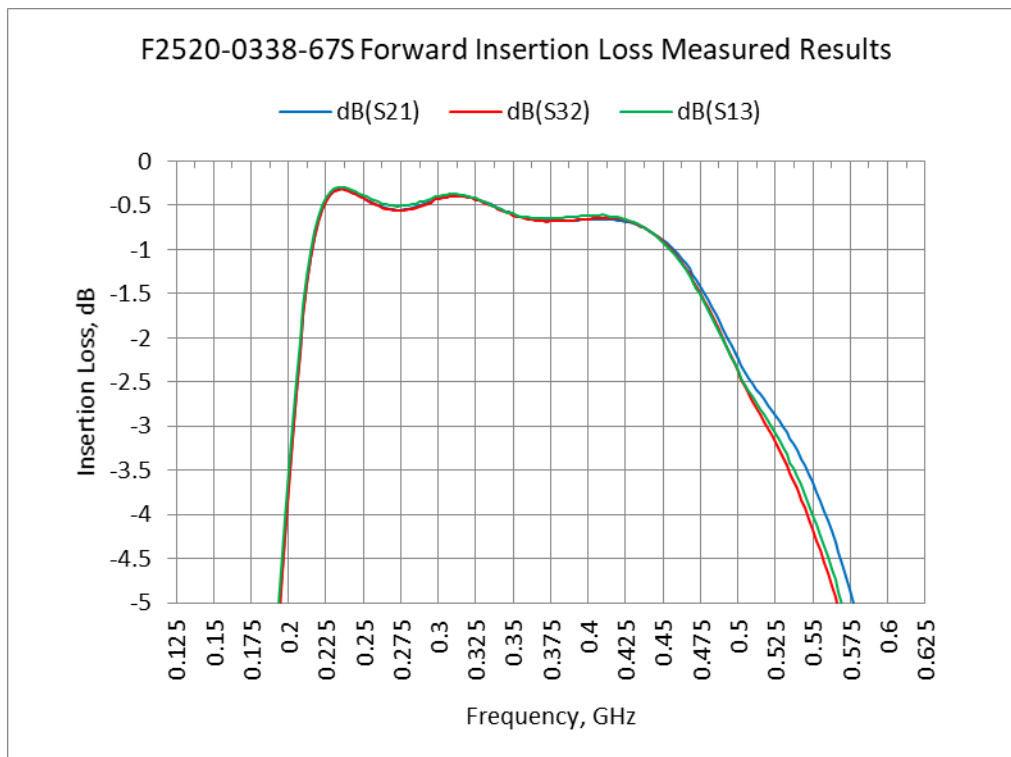
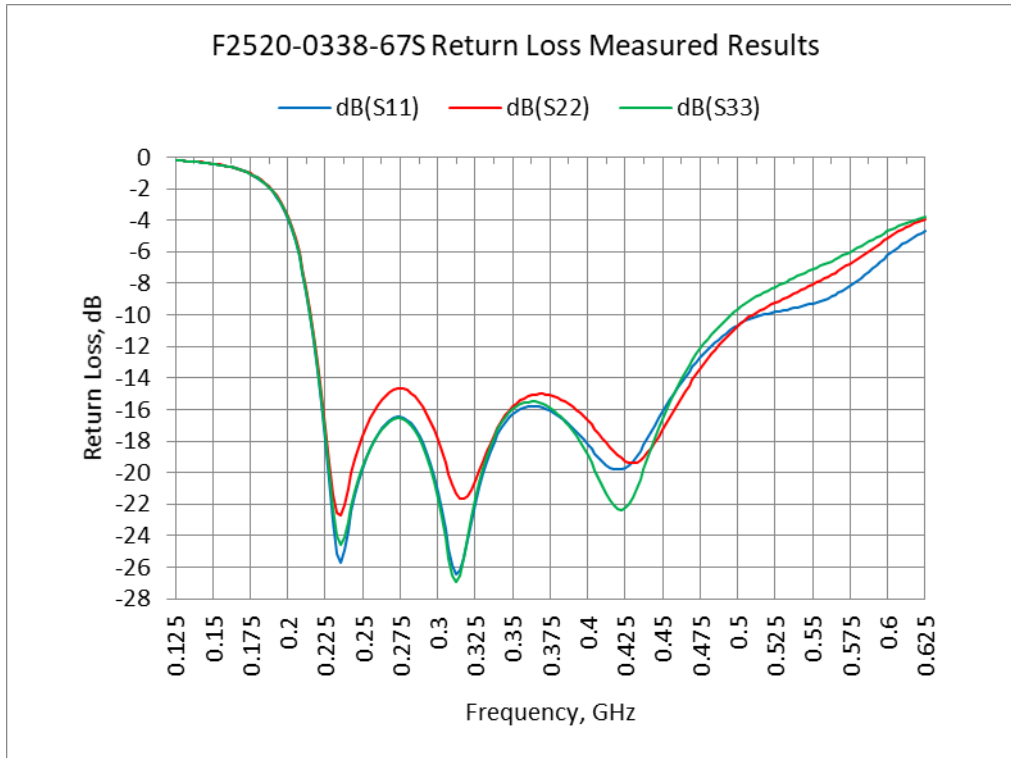
Electrical Specifications

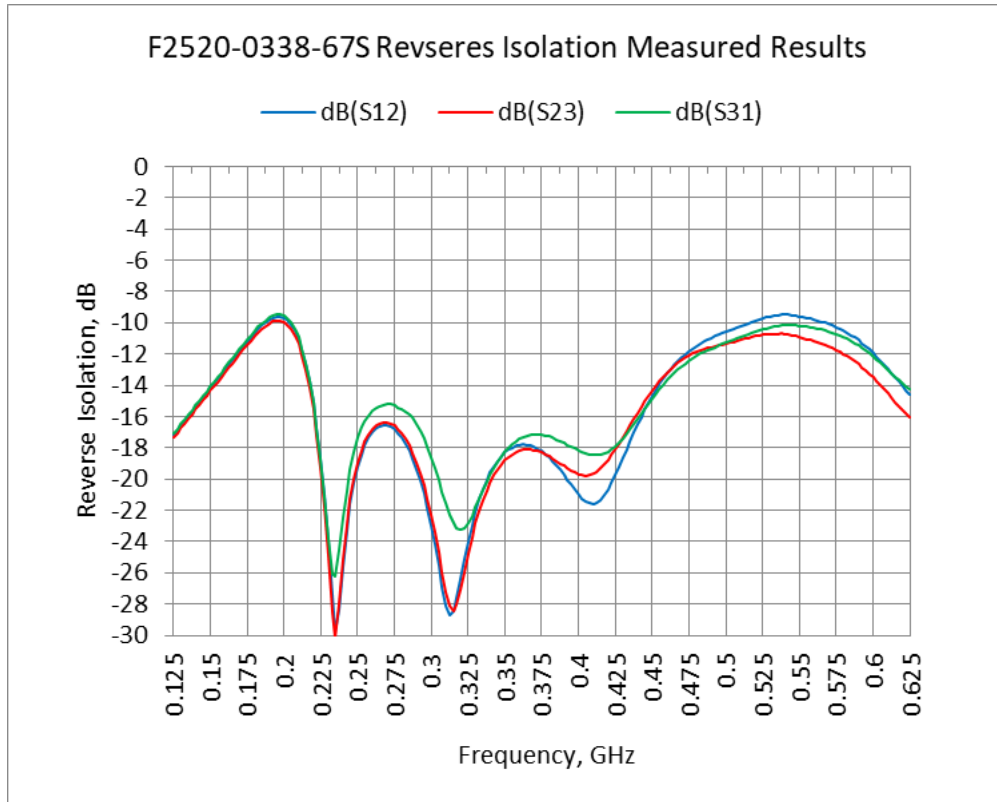
No.	Parameters	Units	Specifications		
			Minimum	Typical	Maximum
1	Frequency Range	MHz	225		400
2	Insertion Loss @ Room temp.	dB	-	0.8	1.3
2A	Insertion Loss over temp.			0.9	1.4
3	Reverse Isolation @ room temp.	dB	15.0	17.0	
3A	Reverse Isolation over temp.	dB	14.0	16.0	
4	VSWR (Return Loss) @ room temp.	(dB)	-	-	1.50:1(-14.0)
4A	VSWR (Return Loss) over temp.	(dB)			1.60:1(-13.0)
5	Forward Power CW	Watts			40
7	Operating Temperature	°C	-20		+55
8	Impedance	Ω		50	
9	RF Connectors	-	50 ohm SMA Female		
10	Signal Flow Direction	-	From port 1 to port 2 to port 3		

Mechanical Structure:

Note: All units in inches (mm).

Typical Test Plots:





Revision History:

Revision	Date	Description	Comments
A00	01/28/2021	Initial Release	