

Key Features:

- Wide operating frequency range from 8.0 to 18.0GHz
- 0.8dB typical insertion loss and 16dB typical reverse isolation
- 50 ohm SMA female coaxial connectors
- 10 Watts CW forward power handling, 1 Watts reverse termination power
- -40~+70°C operating temperature range
- Weight 22 grams (0.76OZ)

**Description:**

F2240-1300-77 is a single junction coaxial isolator with SMA female coaxial connectors operating in the frequency range from 8.0GHz to 18.0GHz and offers 0.8dB typical insertion loss and 16dB typical reverse isolation. The coaxial isolator can handle 10 watts of forward CW power and 1 watts of reverse power.

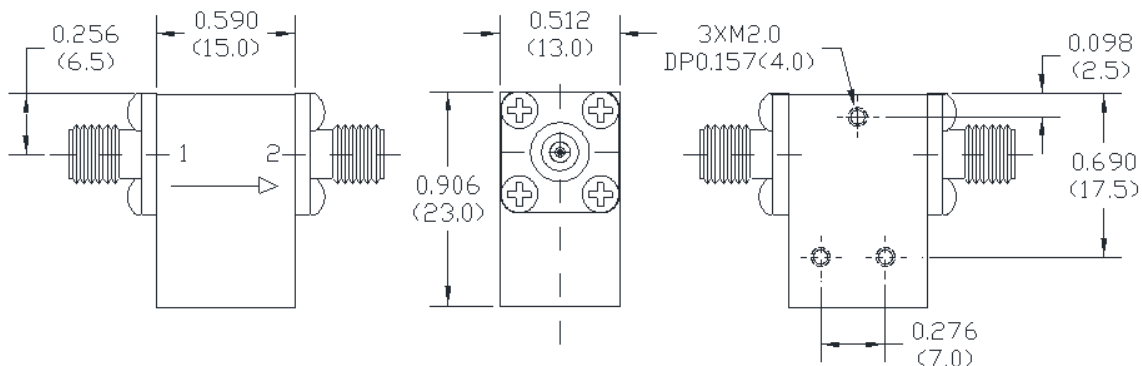
Electrical Specifications

No.	Parameters	Units	Specifications		
			Minimum	Typical	Maximum
1	Frequency Range	GHz	8.0		18.0
2	Insertion Loss @ Room temp.	dB	-		0.8
3	Reverse Isolation @ room temp.	dB	16.0		
4	VSWR @ room temp.	-	-	-	1.40:1
5	Forward Power CW	Watts			10
6	Reverse Power Termination CW	Watts			1
7	RF Connectors	-	50 Ohm SMA Female		
8	Signal Flow Direction	-	From Port 1 to Port 2		

Materials, Environmental & Mechanical Specifications

No.	Parameters	Specifications
1	Isolator Body	Aluminum
2	Magnetic Shunt/Shield	Steel, nickel plated
3	Connector Body	Brass, gold plated
4	Connector Center Contact	Beryllium Copper, gold plated
5	Insulator	PTFE(Teflon)
6	Operating Temperature	-40 to +70 °C
7	Survive Temperature	-55 to +125 °C
9	Outline Dimensions	0.590×0.906×0.512 inches ³ (15.0×23.0×13.0 mm ³)
10	Weight	0.76oZ (22.0 grams)
11	RoHS & REACH Compliance	Yes

Mechanical Structure:



Note: All units in inches (mm).

Typical Test Plots:



Revision History:

Revision	Date	Description	Comments
A00	05/23/2020	Initial Release	