

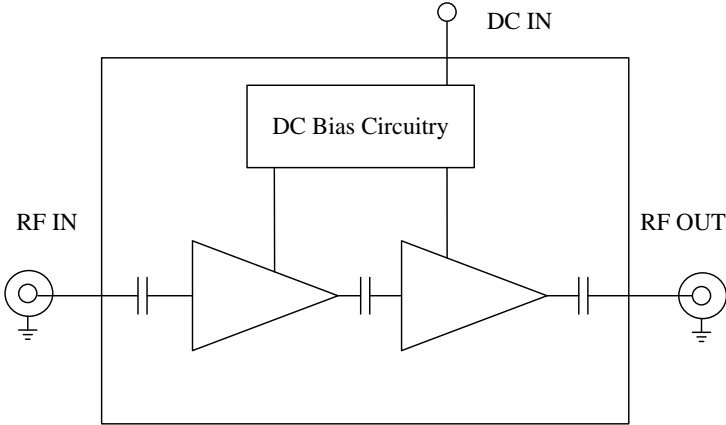
Features:

- 0.3 Watt minimum P-1dB output Power over 50~2500MHz
- Low VSWR, flat gain, unconditional stable
- SMA female connector I/O
- Single DC power supply
- Operating temperature -40~+75°C, storage temperature -55~+125°C

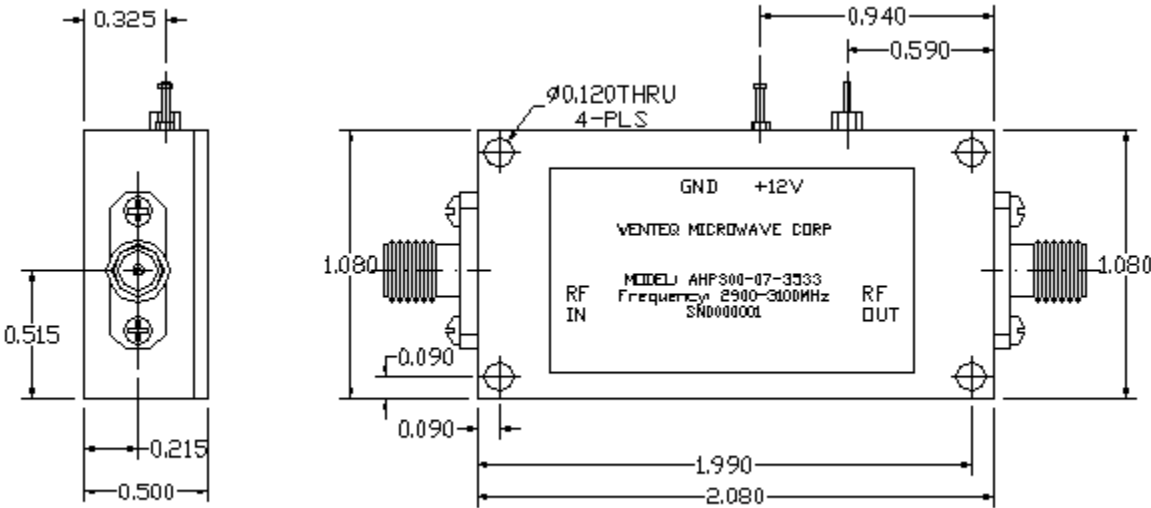
Electrical Specifications

Parameters	Specifications		
	Minimum	Typical	Maximum
Frequency Range	50 MHz		2500MHz
P-1dB Compression Point	+25 dBm	+26 dBm	
Output IP3	+33 dBm	+36 dBm	
Noise Figure		4.0dB	4.5 dB
Nominal SS Gain @25°C	30 dB	33dB	35 dB
Gain flatness		+/-1.25 dB	+/-1.5 dB
Gain Variation		+/-1.0 dB	
Input VSWR		1.6:1	2.0:1
Output VSWR		1.8:1	2.0:1
Reverse Isolation	35 dB	45dB	
Spurious			-60 dBc
Operating Temperature	-40°C		+75°C
Survival Temperature	-55°C		+125°C
DC Voltage	+12.0V		+15.0 V
DC Supply Current		270 mA	350 mA
In/Out connectors	SMA female		
Outline Dimensions (not including SMA and feed pin)	2.08"x1.08"x0.50"		

Functional Block Diagram



Mechanical Structure:



Note: All units in inches.

Absolute Maximum Ratings

DC Voltage	+15V
RF Input Power	+15dBm
Maximum Load VSWR	3:1
Storage Temperature	-55~+125°C
Operating Temperature	-45~+75°C