

Features:

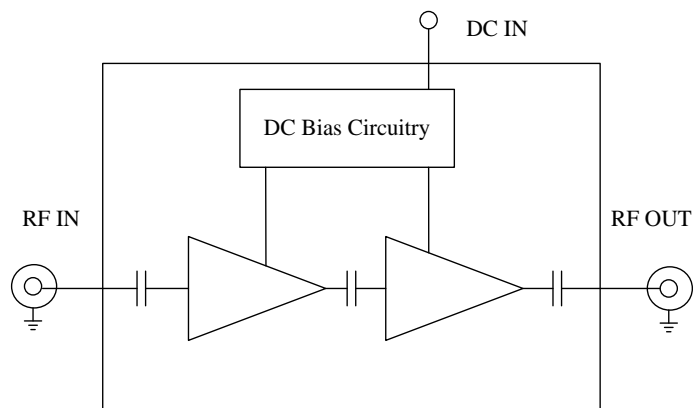
- Octave bandwidth, specification from 20~3000MHz
- high gain with good gain flatness
- Low VSWR, unconditional stable
- SMA female connector I/O
- Single DC power supply
- Operating temperature -40~+75°C, storage temperature -55~+125°C

Electrical Specifications

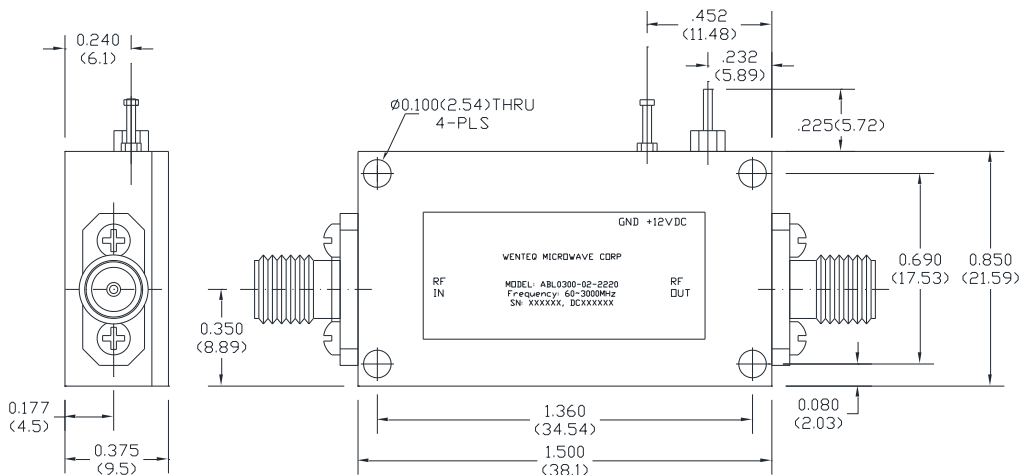
Parameters	Minimum	Typical	Maximum
Frequency Range	20 MHz		3000MHz
P-1dB Compression Point	+23 dBm	+25 dBm	
Output IP3	+37 dBm	+42 dBm	
Nominal SS Gain @25°C	20 dB	23dB	26 dB
Gain flatness		+/-1.25 dB	+/-1.5 dB
Gain Variation over temperature		+/-1.5 dB	
Noise Figure		4.5 dB	5.2 dB
Input VSWR		1.5:1	2.0:1
Output VSWR		1.5:1	2.0:1
Reverse Isolation	45 dB		
Spurious			-60 dBc
Operating Temperature	-40°C		+75°C
Survival Temperature	-55°C		+125°C
DC Voltage	+10V	+12 V	+15 V
DC Supply Current	220 mA	280 mA	350 mA
In/Out connectors	SMA female		
Size	1.5"x1.0"x0.4"		

*Heatsink required for normal operation

Functional Diagram



Mechanical Structure:



Note: All units in inches (mm).

Absolute Maximum Ratings

DC Voltage	+18V
RF Input Power	+20dBm
Storage Temperature	-55~+125°C
Operating Temperature	-40~+75°C