

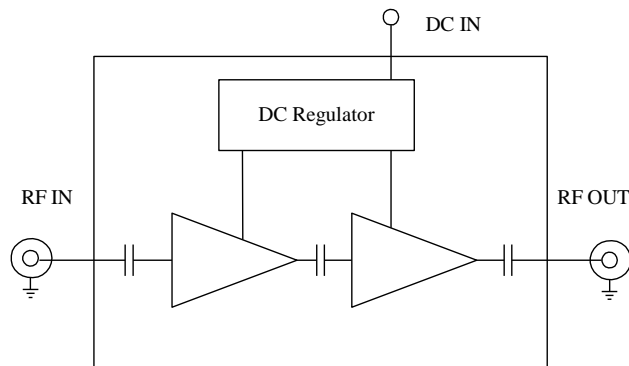
Features:

- Broad band operation from 0.03 GHz to 6.0 GHz
- Low VSWR, unconditional stable
- SMA female connector I/O.
- Single DC power supply, internal voltage regulator, operating voltage from +12V
- Operating temperature -40~+75°C, storage temperature -55~+125°C

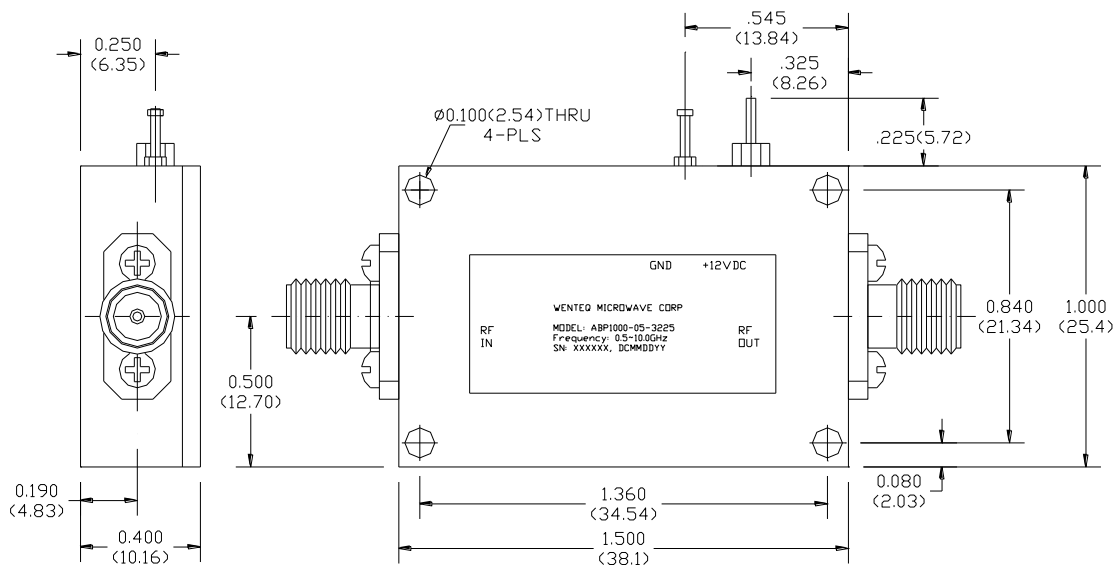
Electrical Specifications

Parameters	Units	Specifications		
		Minimum	Typical	Maximum
Frequency Range	GHz	0.03		6.0
Small Signal Gain @25°C	dB	27.0	30.0	33.0
Noise Figure @25°C 30~150MHz	dB		2.0	3.0
150~6000MHz			1.7	2.2
P-1dB Compression Point	dBm	+26.0	+27.0	
Output IP3	dBm	+33.0	+37.0	
Gain flatness	dB		+/-1.0	+/-1.5
Gain Variation over temp.	dB		+/-2.0	
Input VSWR			1.8:1	2.0:1
Output VSWR			2.0:1	2.5:1
Reverse Isolation	dB	50.0		
Non-Harmonic Spurious	dBc			-60.0
Operating Temperature	°C	-40		+75
Survival Temperature	°C	-55		+125
DC Voltage	V		+12.0	+15.0
DC Supply Current	mA	350 mA	400 mA	550 mA
In/Out connectors		SMA Female		
Size	inches	1.5"x1.0"x0.4"		

Functional Diagram



Mechanical Structure:



Note: All units in inches(mm).

Absolute Maximum Ratings

DC Voltage	+18V
RF Input Power	15 dBm
Storage Temperature	-55~+125°C
Operating Temperature	-40~+75°C